

**Kol. Opis**

1 ALPHA1 L 15-60 130



Paznja! Slika proizvoda se može razlikovati od stvarnog proizvoda

Proizvodni broj: [99160574](#)

Grundfos ALPHA1 L 15-60 130 is a high-efficiency circulator pump with permanent-magnet motor (ECM technology).

The pump features three control modes; radiator heating mode, underfloor heating mode and constant curve/constant speed.

Furthermore, the speed can be controlled by a low-voltage PWM (Pulse Width Modulation) signal.

The pump has a ceramic shaft and radial bearings, carbon thrust bearing, stainless-steel rotor can, bearing plate and rotor cladding, composite impeller, all of which contribute to long life, and the pump is self-venting, which contributes to easy commissioning as well as simple selection of control mode.

The compact design featuring pump head with integrated control box and control panel fits into most common installations as well as boilers.

The pump and motor form an integral unit without shaft seal. The pump is of the wet-runner design. This means the bearings are lubricated by the pumped liquid. These constructions ensure maintenance-free operation.

The pump housing is made of cast iron and is electrocoated to improve the corrosion resistance.

The motor is a synchronous permanent-magnet rotor/compact-stator motor. The pump controller is incorporated in the control box, which is fitted to the stator housing and connected to the stator via a terminal plug.

**Features ALPHA1 L**

- Three constant curves/constant speed.
- Radiator heating mode.
- Underfloor heating mode.
- PWM profile for heating applications (profile A). The PWM signal is a method for generating an analog signal using a digital source.
- Energy-optimised, complies with the ErP directive
- Unblocking screw, accessible from the front of the control box.
- Runs reliably and efficiently under even the most demanding conditions
- Adjustable and flexible installer plug, with two possible cable gland positions.

**Te nost:**

Dizana te nost: voda  
Raspon temperature te nosti: 275 .. 368 K  
Selected liquid temperature: 333 K  
Gustina: 983.2 kg/m<sup>3</sup>

**Tehni ki:**

TF klasa: 95  
Saglasnosti na natpisnoj plo ici: CE,VDE,EAC

**Materijali:**

**Kol. Opis**

Ku ište pumpe: Liveno gvož e  
EN 1561 EN-GJL-150  
ASTM A48-150B  
Rotor: Kompozitni/PES 30 % GF

**Ugradnja:**

Opseg temperature okruženja: 273 .. 328 K  
Maksimalni radni pritisak: 1000 kPa  
Spajanje pumpe: G 1  
Nazivni pritisak: PN 10  
Dužina ugra ivanja: 130 mm

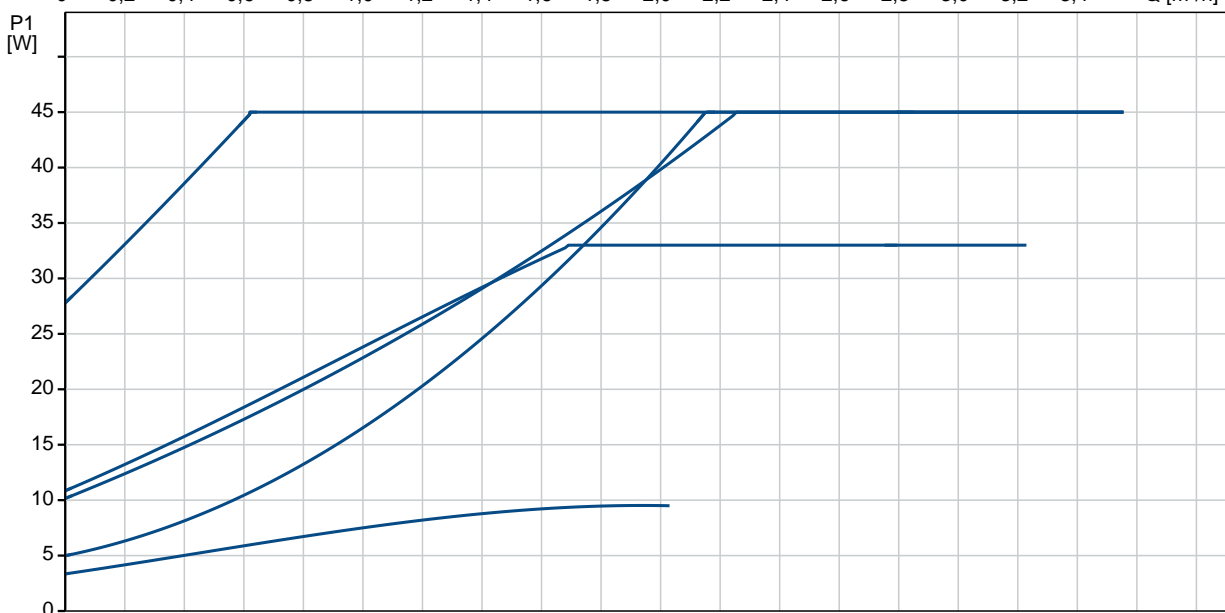
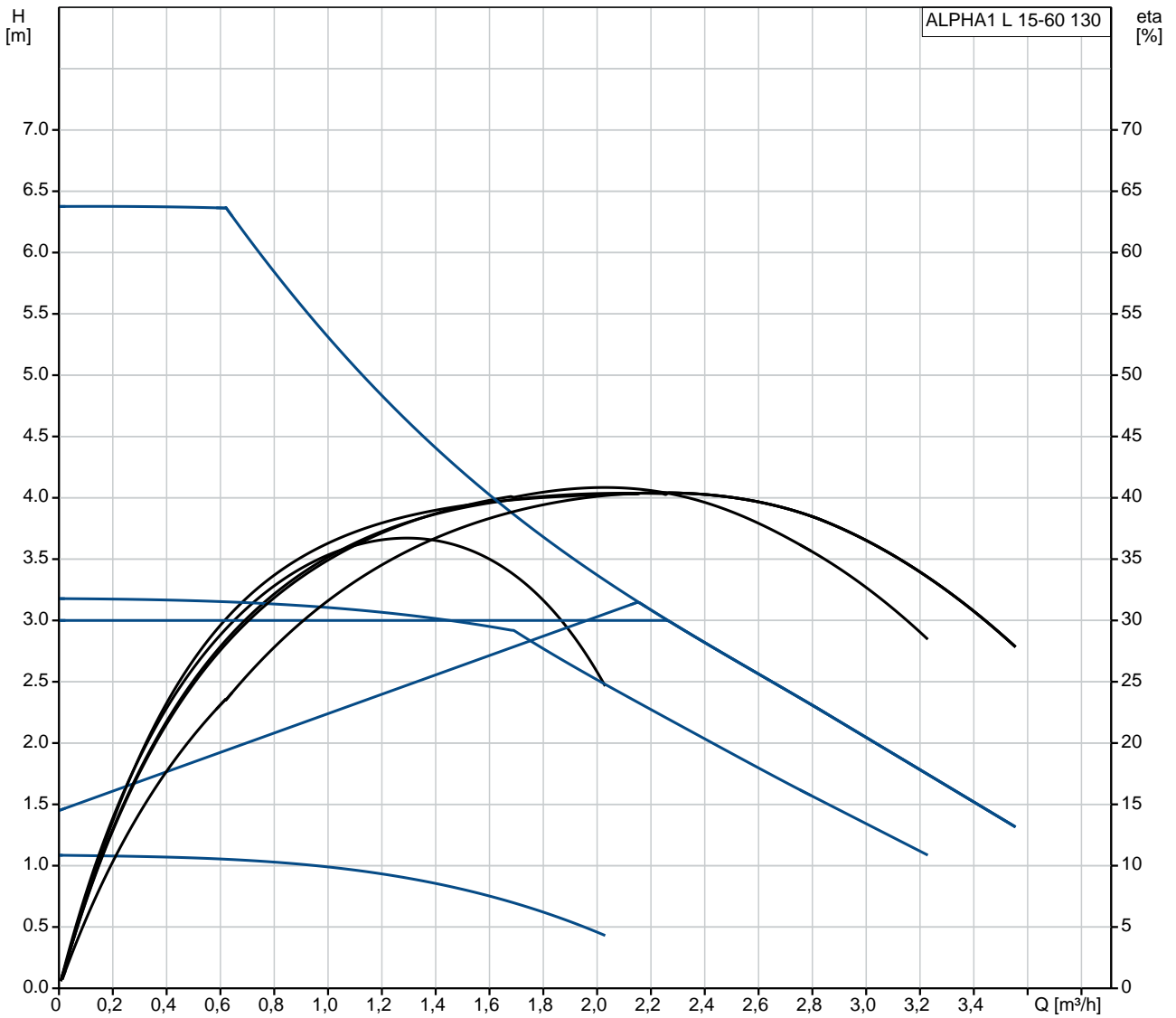
**Elektri ni podaci:**

Potrebna snaga - P1: 4 .. 45 W  
Frekvencija struje: 50 / 60 Hz  
Potrebni napon: 1 x 230 V  
Maksimalna strujna potrošnja: 0.05 .. 0.42 A  
Klasa zaštite (IEC 34-5): X4D  
Klasa izolacije (IEC 85): F

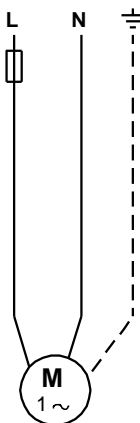
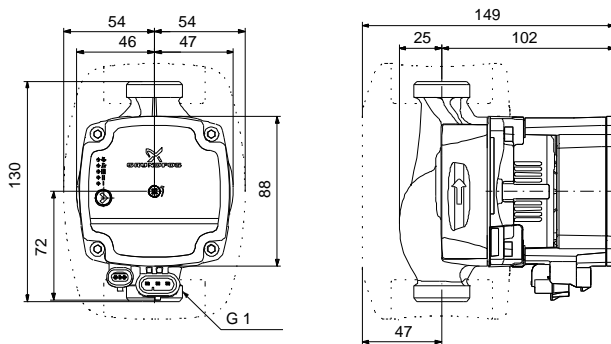
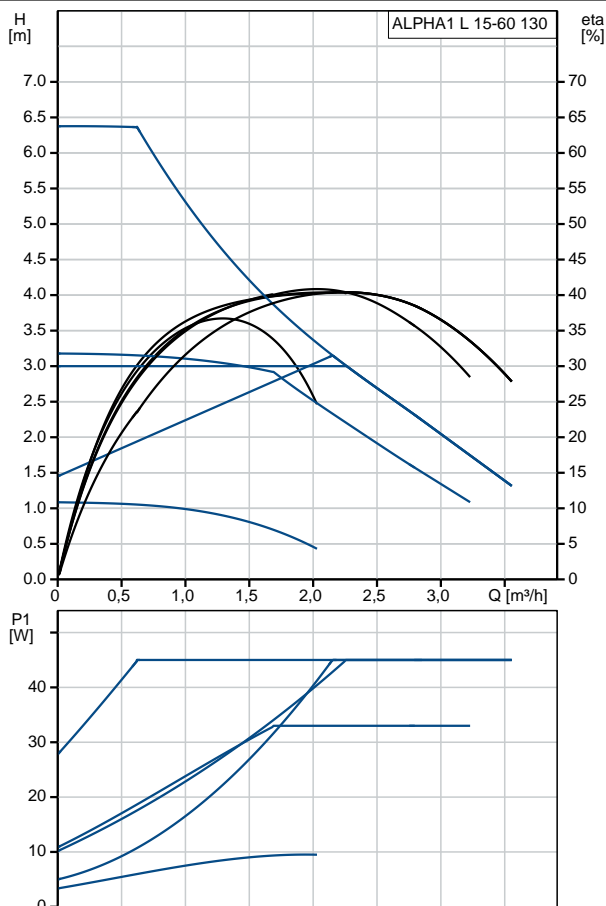
**Ostali:**

Energy (EEI): 0.20  
Neto masa: 1.88 kg  
Bruto masa: 1.98 kg  
Transportna zapremina: 0.004 m<sup>3</sup>  
Finnish LVI No.: 4615354  
Country of origin: DK  
Custom tariff no.: 84137030

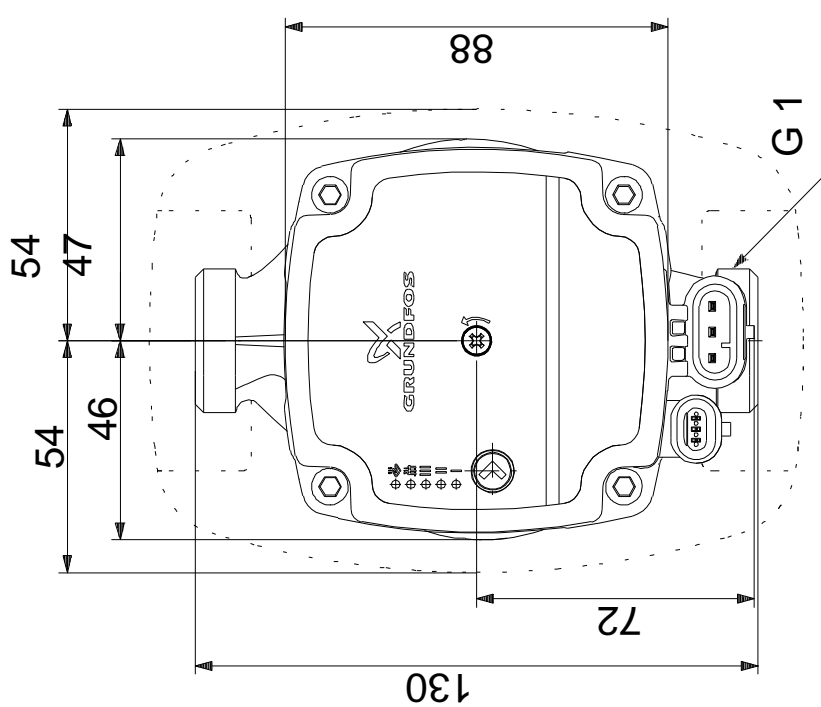
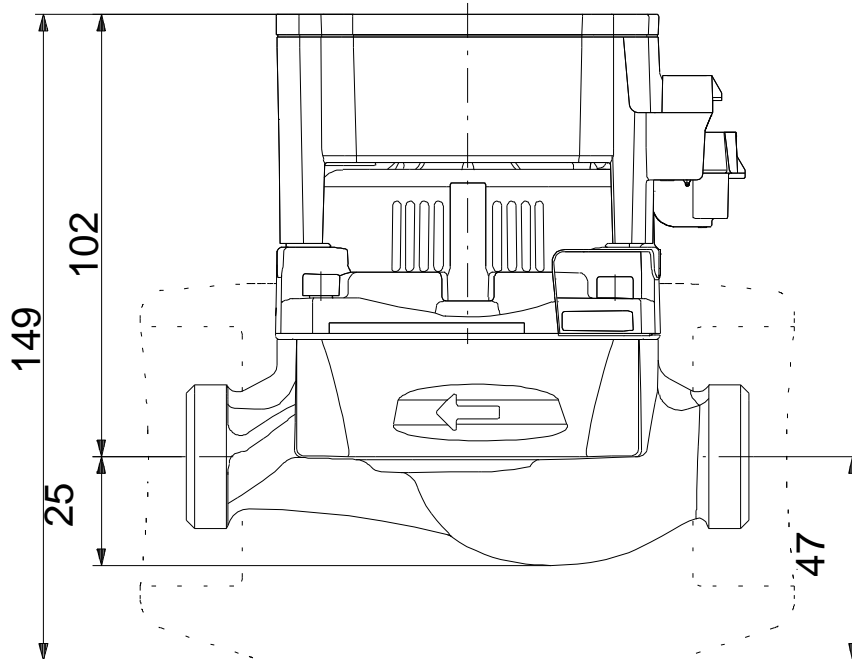
## 99160574 ALPHA1 L 15-60 130



Opis	Vrednost
<b>Opšte informacije:</b>	
Ime proizvoda::	ALPHA1 L 15-60 130
Šifra proizvoda:	99160574
EAN broj::	5712607862589
	5712607862589
Cena:	168,89 €
<b>Tehni ki:</b>	
Visina max.:	6 m
TF klasa:	95
Saglasnosti na natpisnoj plo ici:	CE,VDE,EAC
Model:	C
<b>Materijali:</b>	
Ku ište pumpe:	Liveño gvoŝ e EN 1561 EN-GJL-150 ASTM A48-150B
Rotor:	Kompozitni/PES 30 % GF
<b>Ugradnja:</b>	
Opseg temperature okruŝenja:	273 .. 328 K
Maksimalni radni pritisak:	1000 kPa
Spajanje pumpe:	G 1
Nazivni pritisak:	PN 10
Duŝina ugra ivanja:	130 mm
<b>Te nost:</b>	
Dizana te nost:	voda
Raspon temperature te nosti:	275 .. 368 K
Selected liquid temperature:	333 K
Gustina:	983.2 kg/m <sup>3</sup>
<b>Elektri ni podaci:</b>	
Potrebna snaga - P1:	4 .. 45 W
Frekvencija struje:	50 / 60 Hz
Potrebni napon:	1 x 230 V
Maksimalna strujna potroŝnja:	0.05 .. 0.42 A
Klasa zaŝtite (IEC 34-5):	X4D
Klasa izolacije (IEC 85):	F
Zaŝtita motora:	BEZ ZAŝTITE
Termini ka zaŝtita:	ELEC
<b>Kontrola:</b>	
Poloŝaj priklj. kutije:	6H
<b>Ostali:</b>	
Energy (EEI):	0.20
Neto masa:	1.88 kg
Bruto masa:	1.98 kg
Transportna zapremina:	0.004 m <sup>3</sup>
Finnish LVI No.:	4615354
Country of origin:	DK
Custom tariff no.:	84137030

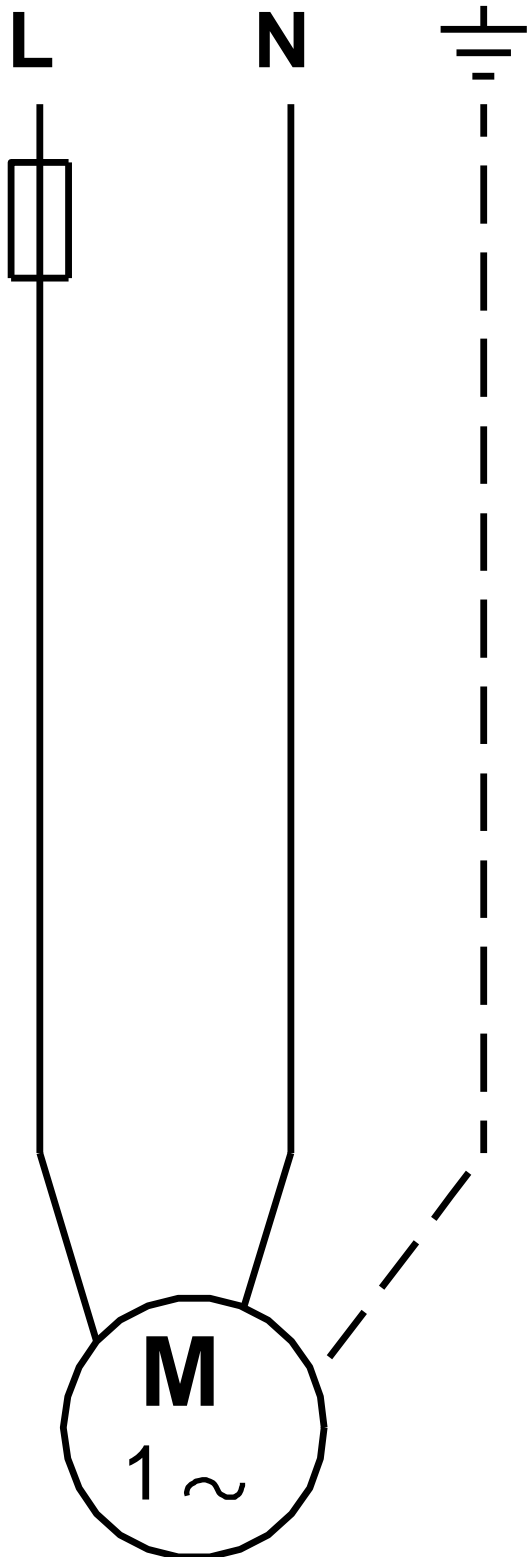


## 99160574 ALPHA1 L 15-60 130



Napomena! Sve jedinice su u [mm]ukoliko druga ije nije navedeno.  
Upozorenje: Ovaj pojednostavljeni dimenzioni crtež ne pokazuje sve detalje.

99160574 ALPHA1 L 15-60 130



Pažnja! Sve jedinice su u [mm] ukoliko nije re eno druga ije.